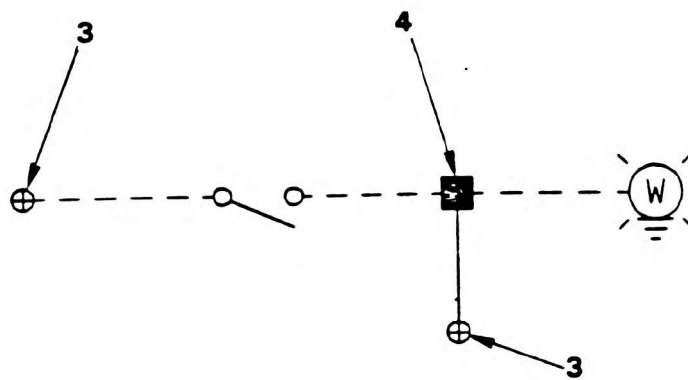
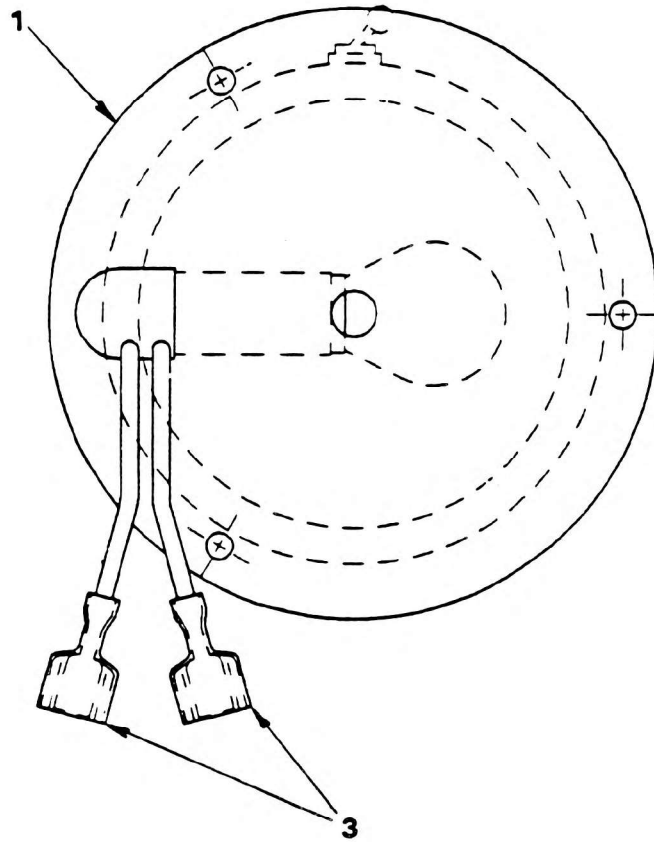


GROVE



REWORK SCHEMATIC